

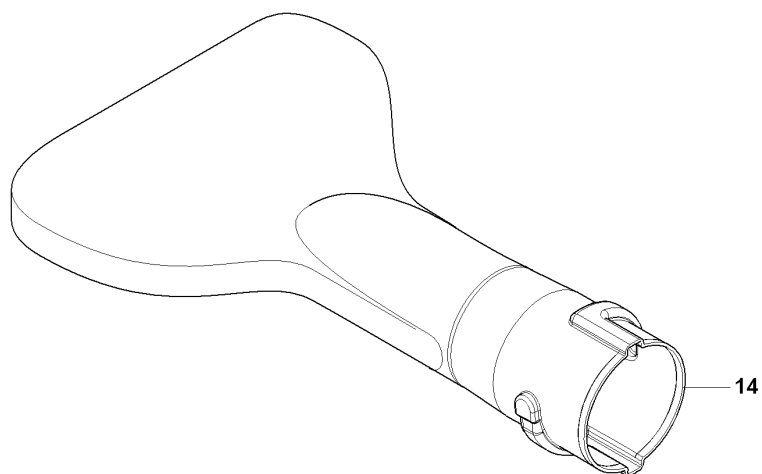
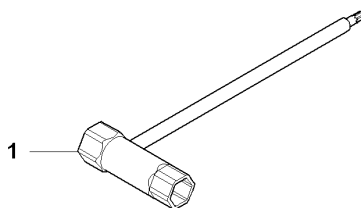


SPARE PARTS LIST

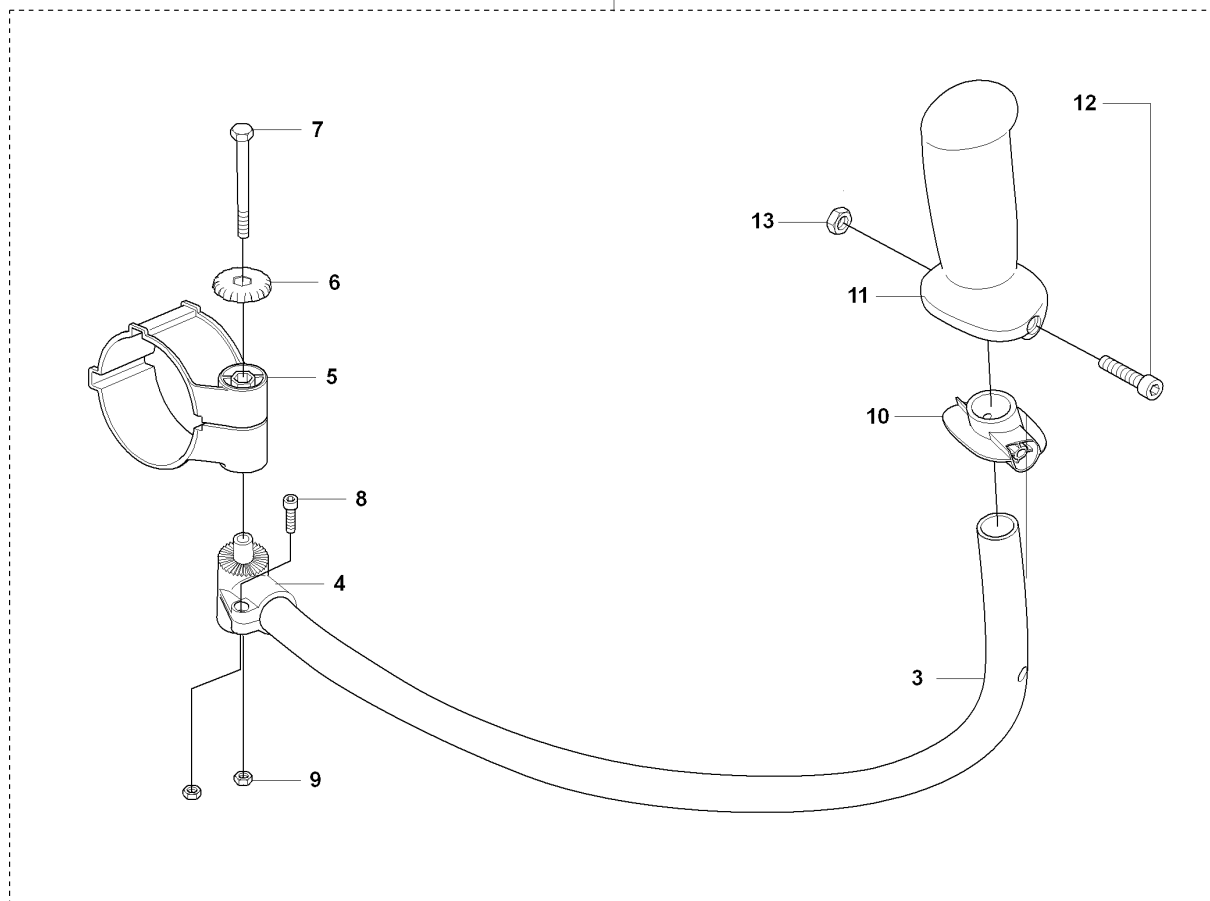
BLOWERS

370 BFS, 2009-03

R 370BTS, 370BFS
 Accessories
 Zubehöre
 Accessoires
 Accesorios
 Tillbehör



2

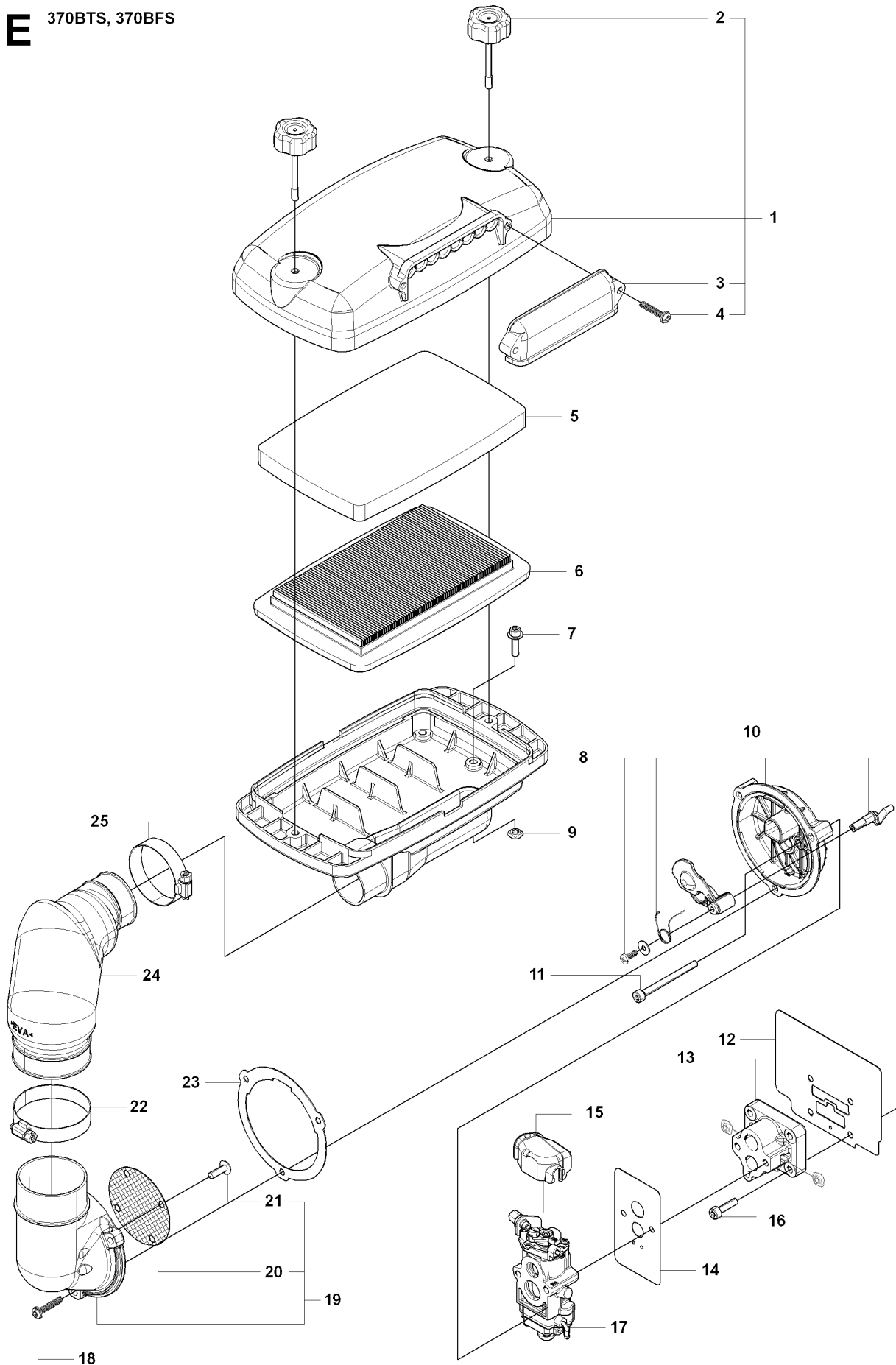


ACCESSORIES

370 BFS, 2009-03

Ref	Part No	Description	Remark	QTY KIT
1	521 53 30-01	SOCKET		1
2	544 40 00-01	HANDLEBAR ASSY		1
3	537 24 13-01	HANDLEBAR		1
4	537 29 29-01	BRACKET		1
5	511 79 75-01	HOLDER TH		1
6	504 80 03-01	TURNING KNOB		1
7	725 23 47-51	SCREW EHHM		1
8	725 53 25-55	SCREW IHSCM		1
9	575 96 06-01	NUT		2
10	537 17 29-01	COVER		1
11	537 17 28-01	HANDLE		1
12	503 20 02-45	SCREW IHSCFM		1
13	575 96 06-01	NUT		1
14	511 76 95-01	FLAT NOZZLE		1

E 370BTS, 370BFS

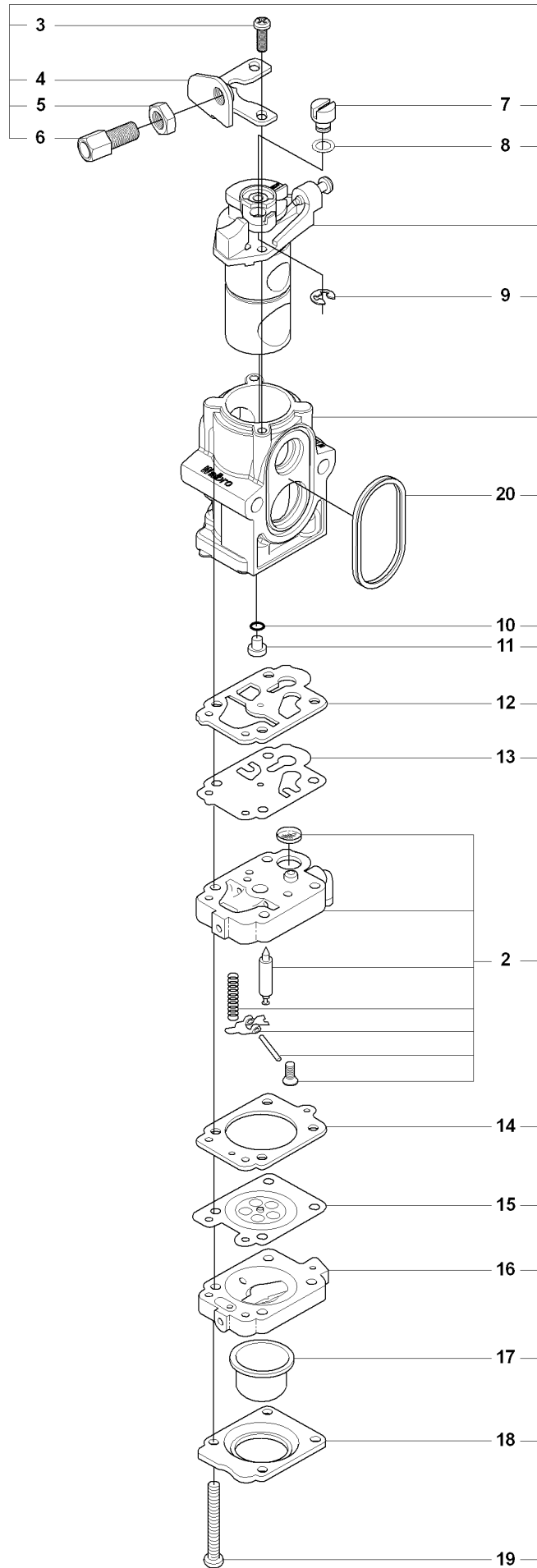


CARBURETOR & AIR FILTER

370 BFS, 2009-03

Ref	Part No	Description	Remark	QTY KIT
1	511 78 59-01	COVER ASSY		1
2	544 27 14-01	KNOB BOLT		2
3	544 27 13-01	COVER		1
4	512 84 81-01	SCREW		2
5	512 65 41-01	ELEMENT		1
6	512 65 20-01	ELEMENT		1
7	512 84 56-01	BOLT		4
8	544 27 11-01	BODY		1
9	544 27 21-01	NUT		4
10	544 36 31-01	CUP ASSY		1
11	515 39 07-01	BOLT		2
12	521 62 75-01	GASKET		1
13	521 62 74-01	INSULATOR		1
14	521 62 76-01	GASKET		1
15	506 74 42-01	COVER		1
16	521 51 65-01	BOLT		4
17	544 36 30-01	CARBURETTOR		1
18	512 84 81-01	SCREW		3
19	521 63 20-01	CUP COVER-ASSY		1
20	521 63 25-01	SCREEN		1
21	513 30 36-01	SCREW		2
22	544 27 19-01	CLAMP		1
23	521 63 26-01	GASKET		1
24	511 78 60-01	HOSE		1
25	544 27 18-01	CLAMP		1

Q 370BTS, 370BFS

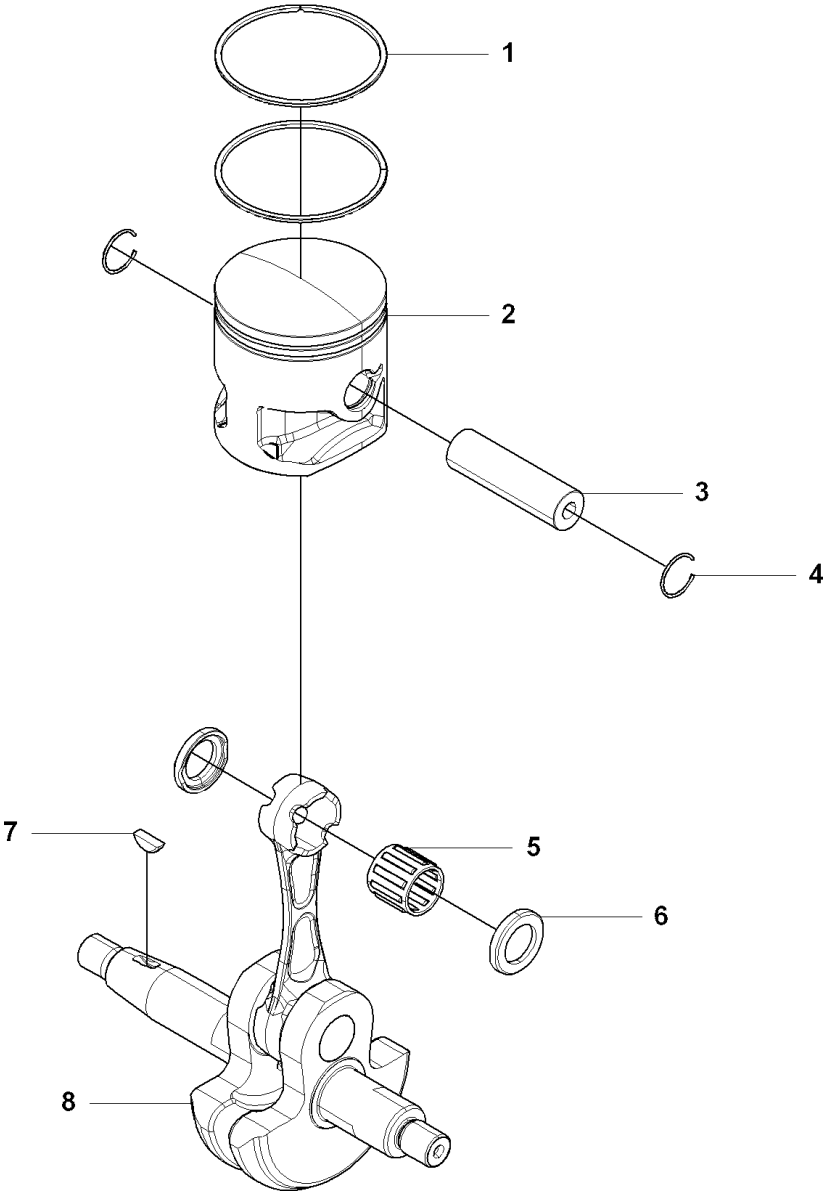


CARBURETOR DETAILS

370 BFS, 2009-03

Ref	Part No	Description	Remark	QTY KIT
1	544 36 30-01	CARBURETTOR		1
2	544 36 35-01	BODY CARBURETTOR		1
3	505 30 79-01	SCREW		2
4	506 74 60-01	BRACKET		1
5	506 61 26-01	NUT		1
6	506 74 13-01	SCREW		1
7	506 74 12-01	SWIVEL		1
8	506 74 61-01	WASHER		1
9	506 73 86-01	RING		1
10	505 30 75-01	O-RING		1
11	544 36 53-01	JET		1
12	506 74 51-01	GASKET		1
13	506 68 98-01	DIAPHRAGM		1
14	506 74 08-01	GASKET		1
15	505 30 68-01	DIAPHRAGM		1
16	506 74 09-01	BODY		1
17	505 30 67-01	PUMP		1
18	506 74 10-01	COVER		1
19	506 74 11-01	SCREW		4
20	521 63 15-01	RING		1

L 370BTS, 370BFS

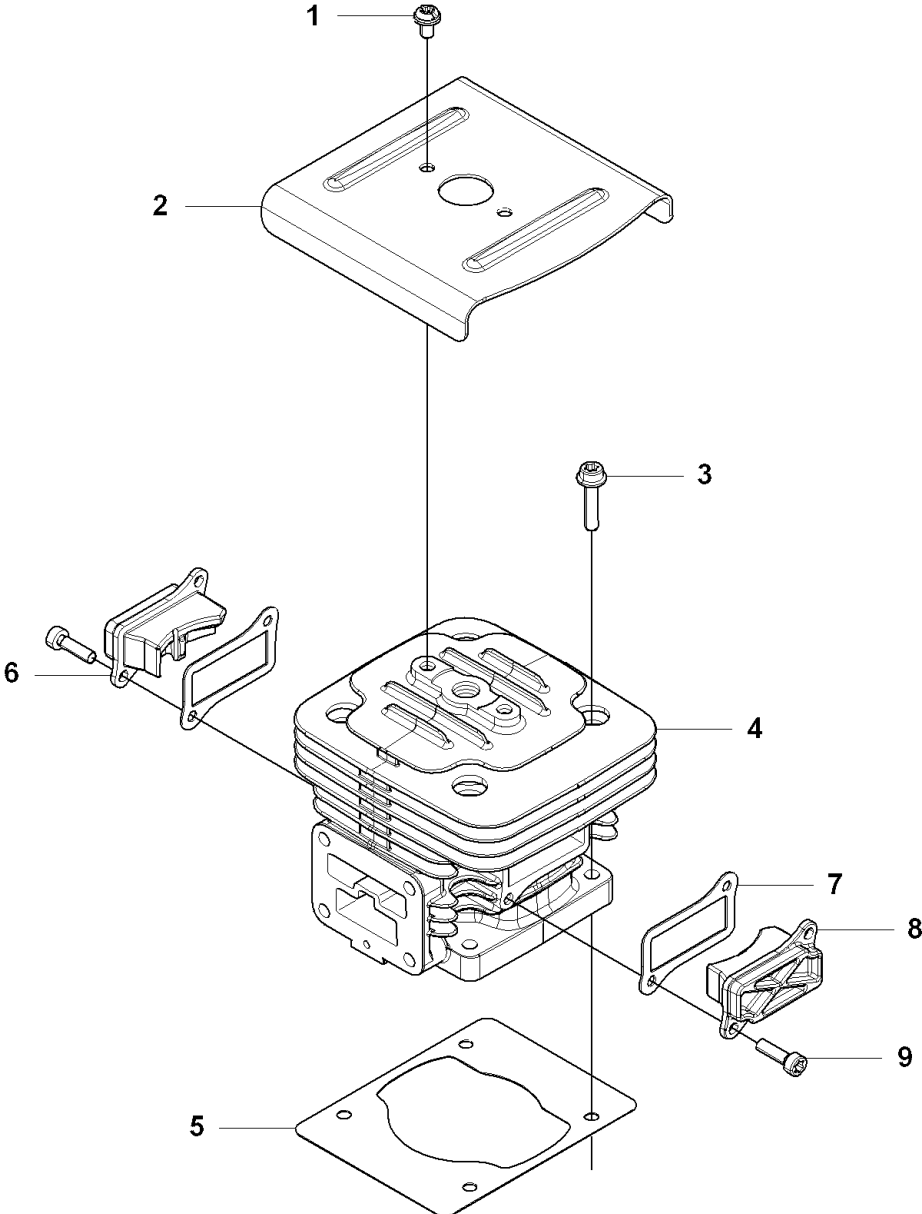


CRANKSHAFT

370 BFS, 2009-03

Ref	Part No	Description	Remark	QTY KIT
1	544 25 93-01	PISTON RING		2
2	544 25 92-01	PISTON		1
3	544 25 94-01	PISTON PIN		1
4	521 53 19-01	SNAP-RING		2
5	521 52 08-01	ROLLER BEARING		1
6	521 52 05-01	WASHER		2
7	506 68 94-01	KEY		1
8	521 62 88-01	SHAFT-COMP		1

J 370BTS, 370BFS

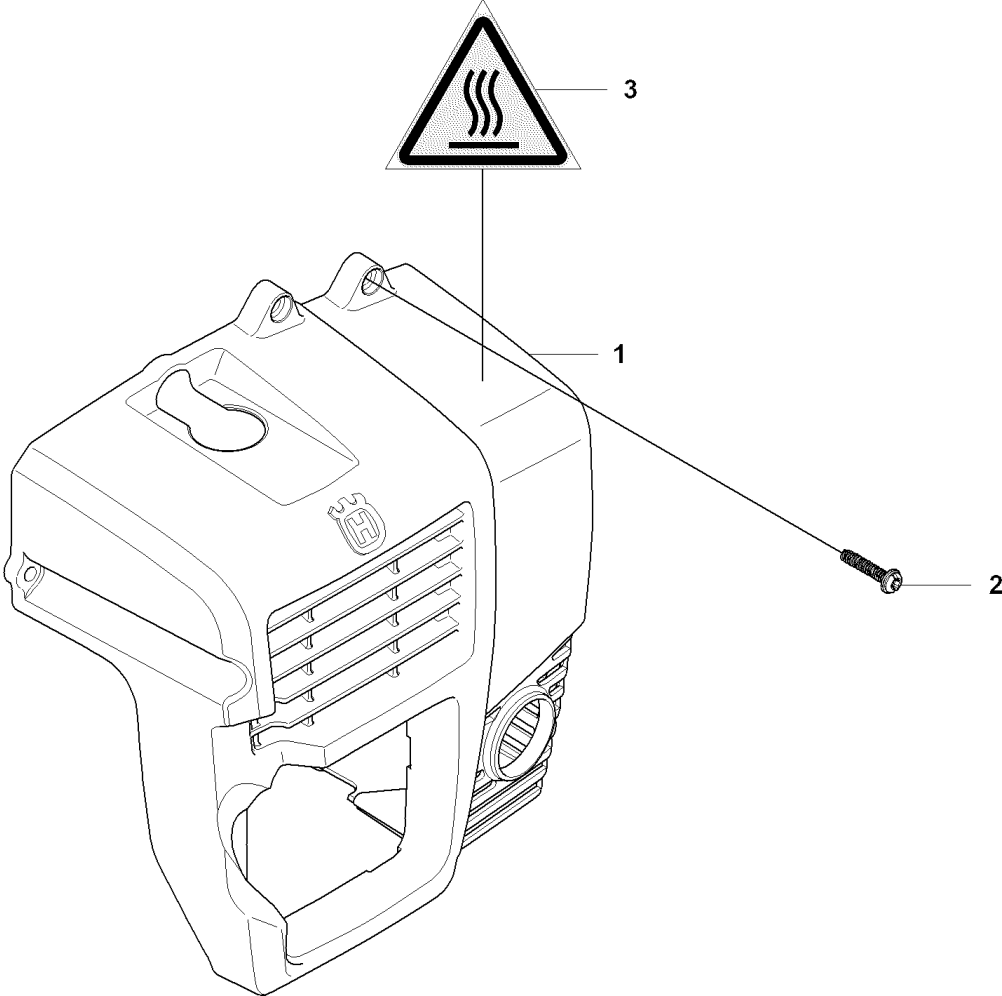


CYLINDER

370 BFS, 2009-03

Ref	Part No	Description	Remark	QTY KIT
1	544 25 68-01	SCREW		2
2	521 62 72-01	PLATE		1
3	584 63 38-01	BOLT		4
4	544 25 64-01	CYLINDER		1
5	521 62 68-01	GASKET		1
6	544 25 74-01	COVER		1
7	521 62 71-01	GASKET		2
8	544 25 73-01	COVER		1
9	506 74 57-01	BOLT		4

C 370BTS, 370BFS

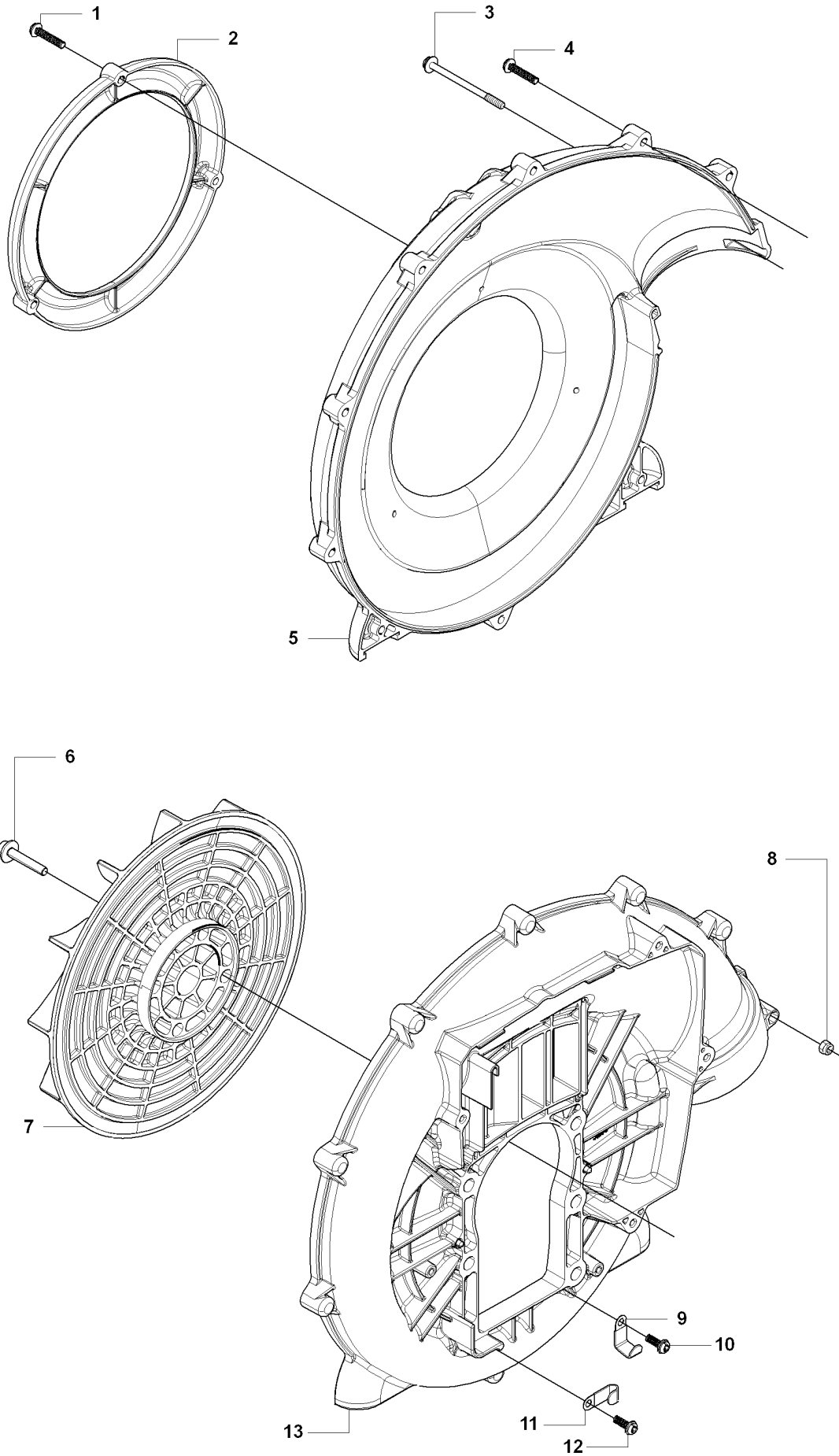


CYLINDER COVER

370 BFS, 2009-03

Ref	Part No	Description	Remark	QTY KIT
1	511 79 16-01	ENGINECOVER		1
2	512 84 81-01	SCREW		5
3	521 55 36-01	LABEL		1

M 370BTS, 370BFS

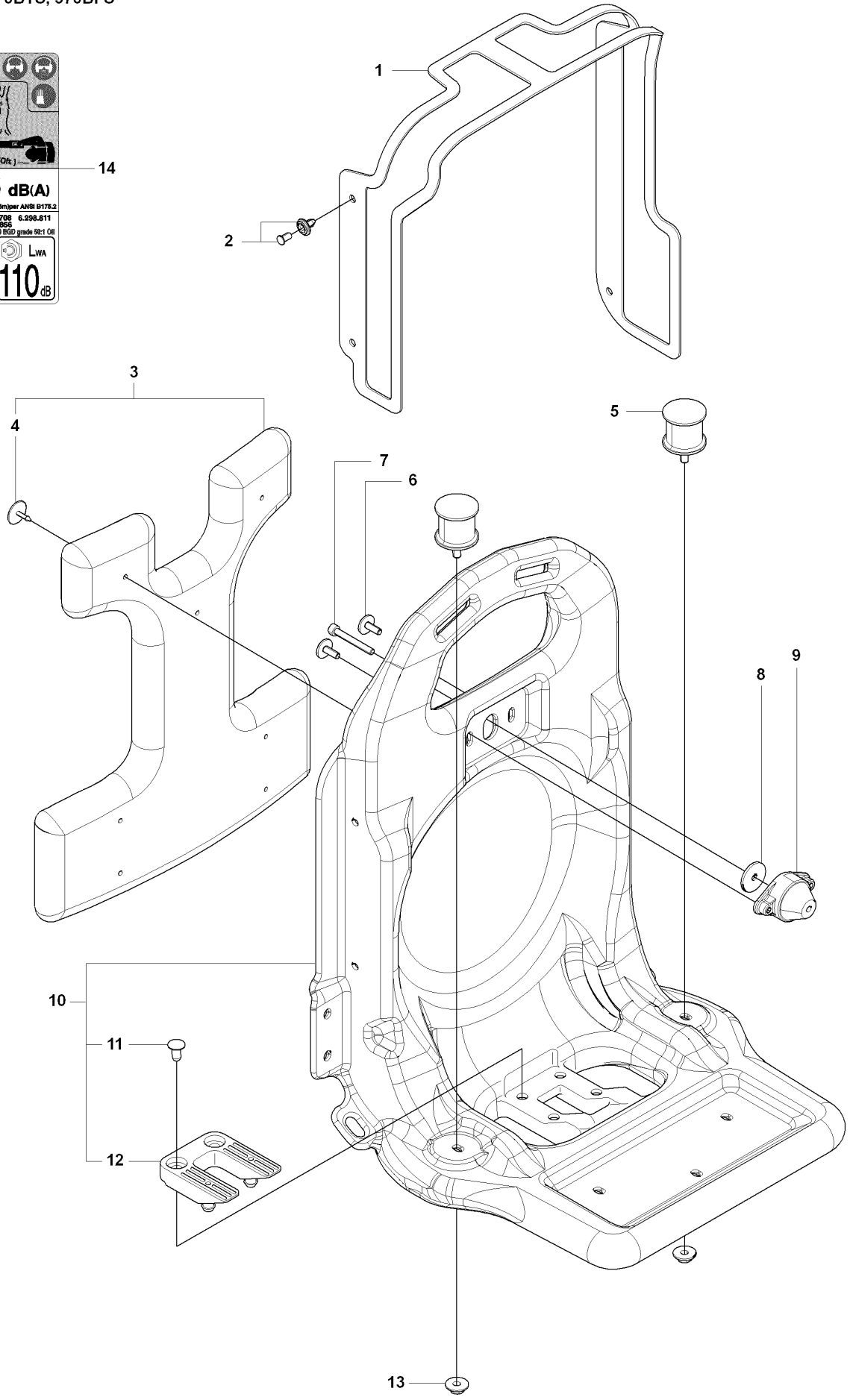


Ref	Part No	Description	Remark	QTY KIT
1	512 84 81-01	SCREW		3
2	511 80 52-01	FUNNEL		1
3	544 26 46-01	SCREW		2
4	512 84 81-01	SCREW		9
5	511 80 50-01	VOLUTE COVER		1
6	510 90 61-01	BOLT		4
7	513 66 59-01	FAN		1
8	514 18 39-01	NUT		2
9	504 12 23-01	CLIP		1
10	512 84 79-01	SCREW		1
11	521 52 51-01	CLAMP		1
12	512 84 79-01	SCREW		1
13	511 80 49-01	VOLUTE CASE		1

N 370BTS, 370BFS

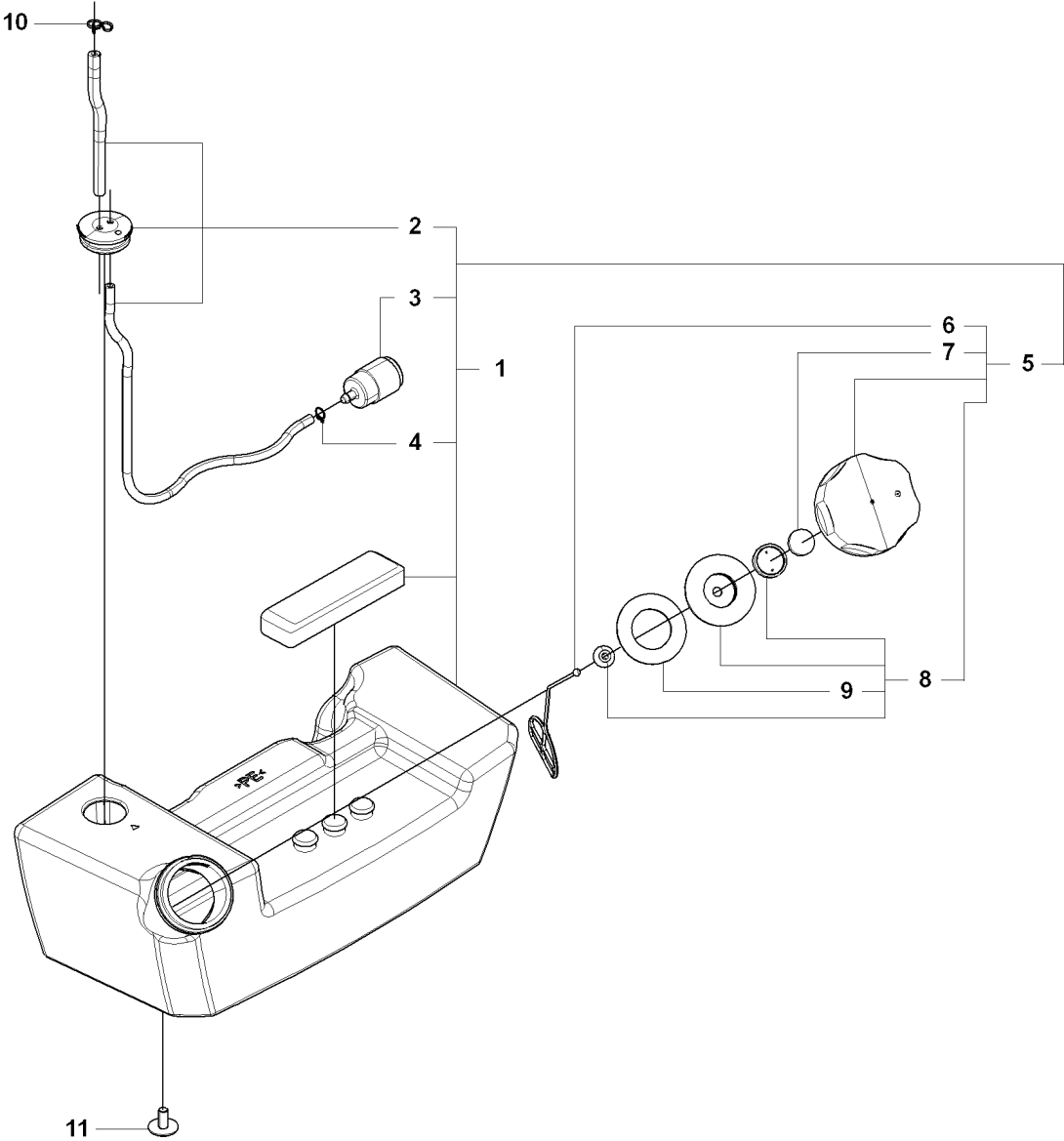


USA **76 dB(A)**
Category 1
measured at 80m (16m) per ANSI S117.2
U.S. 6.112.708 6.298.811
PATENT NO. 6.298.866
Use J450 P2 or ISO 1502 grade S2-1 CH
N452 LWA
EUROPE **110 dB**
CE
MPC



Ref	Part No	Description	Remark	QTY KIT
1	511 80 09-01	NET		1
2	544 27 04-01	CLIP		4
3	544 27 01-01	PAD COMP		1
4	544 27 02-01	CLIP		7
5	513 66 73-01	DAMPER		2
6	544 27 08-01	SCREW		2
7	521 51 72-01	BOLT		1
8	502 85 05-01	WASHER		1
9	513 66 67-01	DAMPER		1
10	544 26 96-01	FRAME-C		1
11	544 27 04-01	CLIP		2
12	511 80 20-01	CUSHION		1
13	513 66 75-01	NUT		2
14	511 81 14-01	LABEL		1

G 370BTS, 370BFS

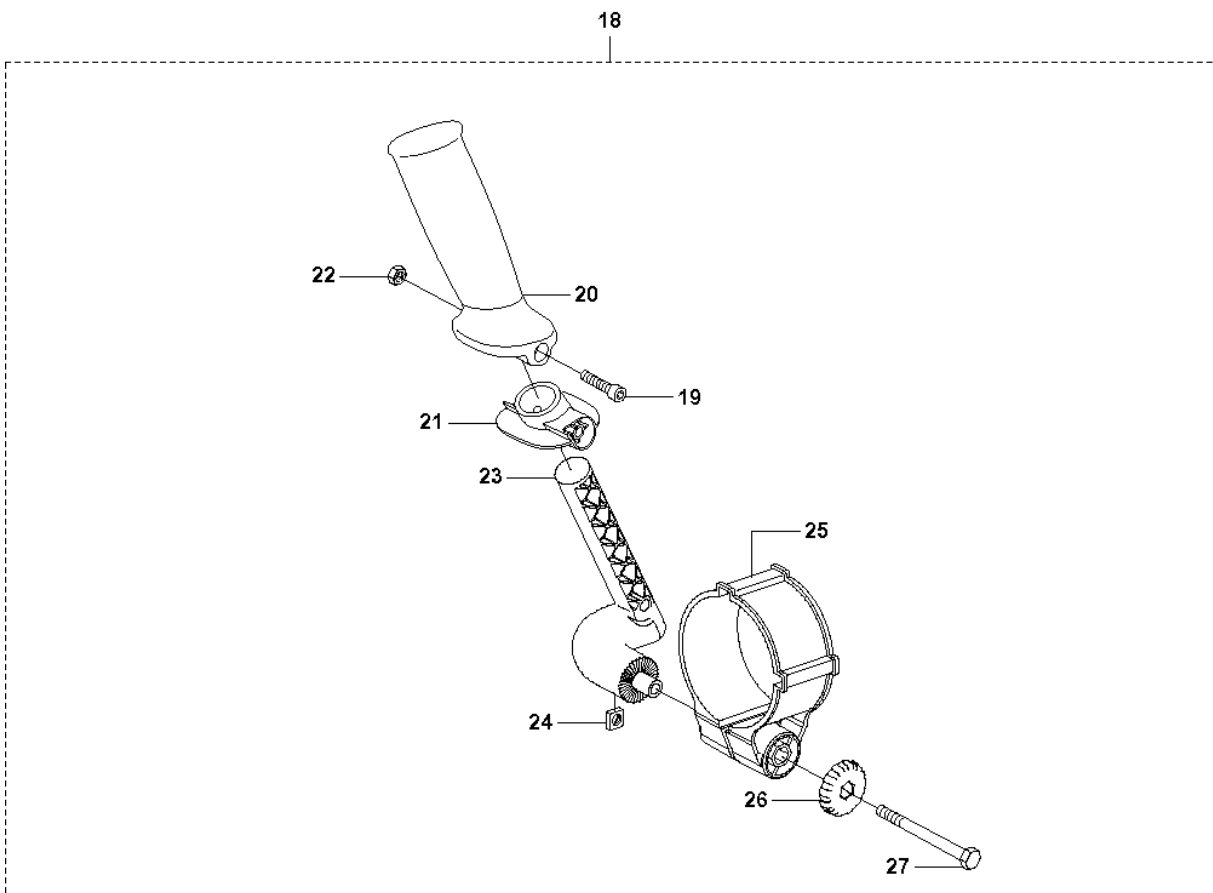
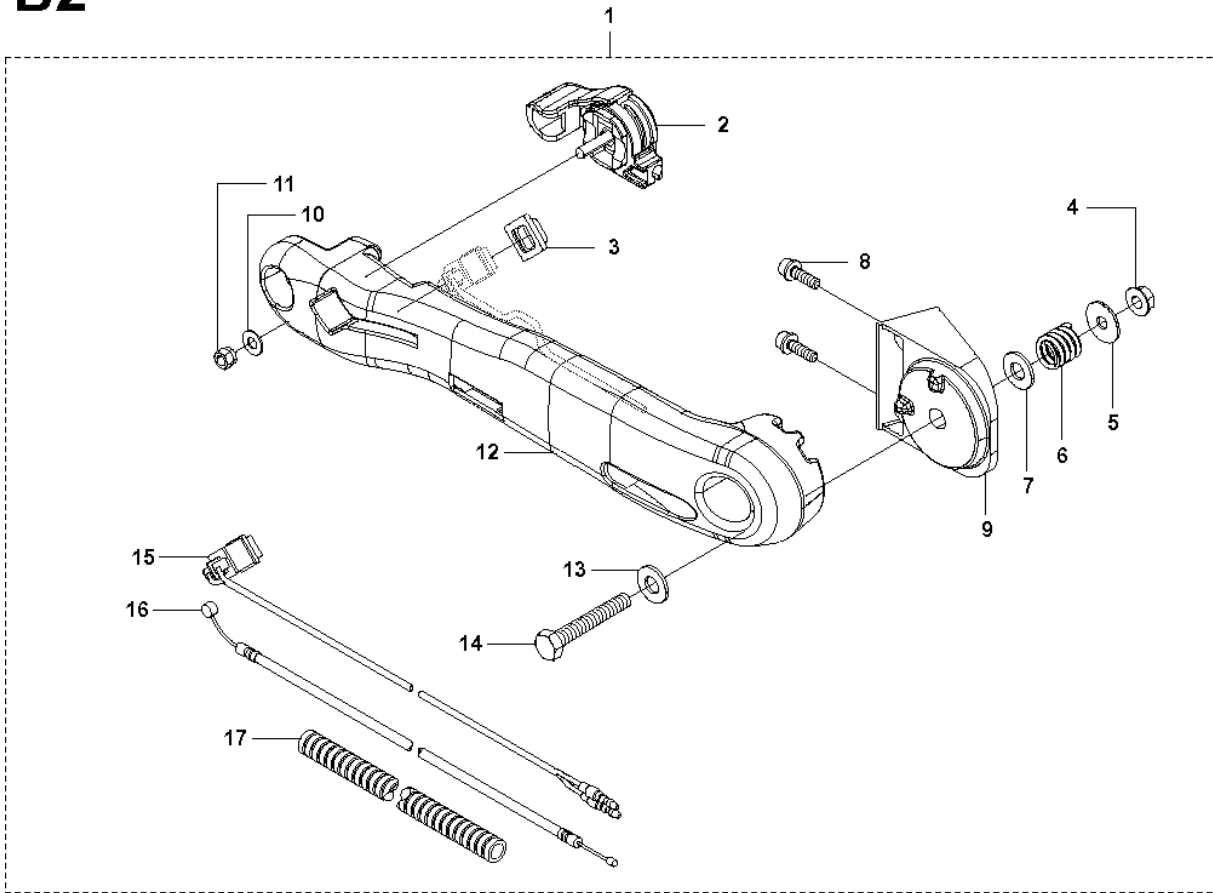


FUEL TANK

370 BFS, 2009-03

Ref	Part No	Description	Remark	QTY KIT
1	544 27 22-01	TANK ASSY	EU	1
1	522 61 41-01	TANK ASSY.EVP	US	1
2	579 13 83-03	HOSE ASSY		1
3	506 74 26-01	FILTER		1
4	506 70 70-01	CLIP		1
5	504 11 77-01	TANK CAP ASSY		1
6	504 11 79-01	HOLDER		1
7	504 11 79-01	HOLDER		1
8	515 36 94-01	HOLDER-A		1
9	506 74 43-01	PACKING		1
10	506 74 15-01	CLIP		1
11	544 27 31-01	SCREW		3

B2 370BFS

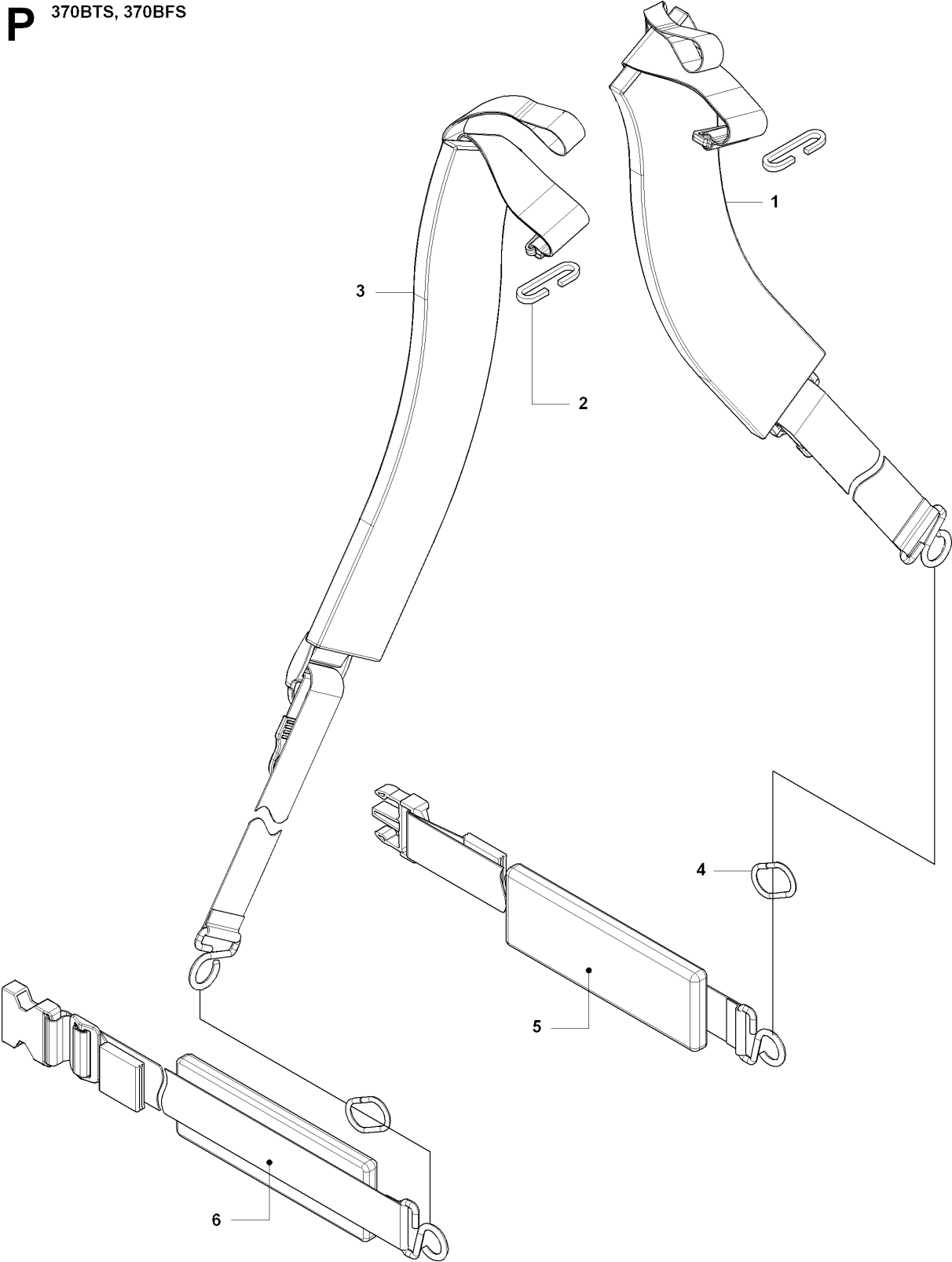


HANDLE & CONTROLS

370 BFS, 2009-03

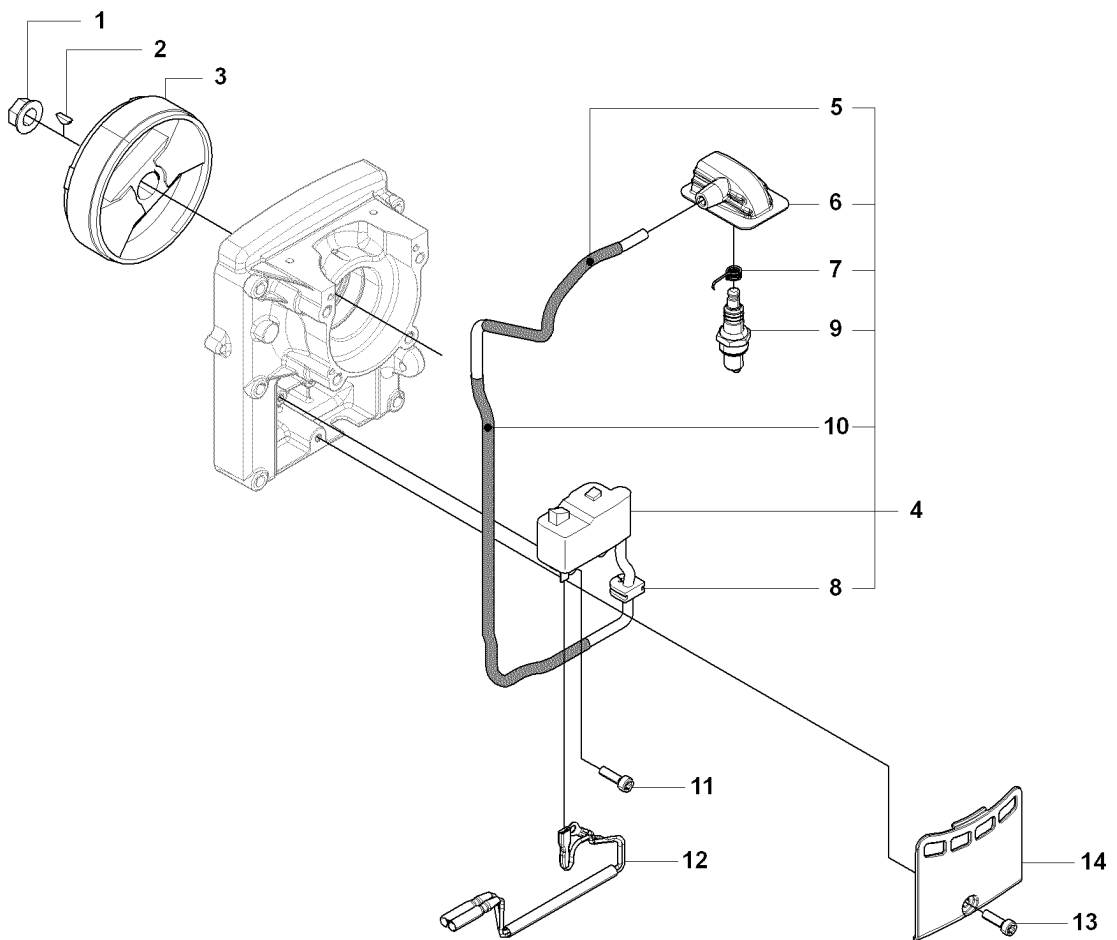
Ref	Part No	Description	Remark	QTY KIT
1	502 84 29-01	HANDLE ASSY		1
2	512 64 78-01	LEVER		1
3	513 35 19-01	HUB CAP		1
4	521 51 96-01	NUT		1
5	514 33 65-01	WASHER		1
6	514 33 63-01	SPRING		1
7	514 33 67-01	WASHER		1
8	544 27 08-01	SCREW		2
9	512 64 81-01	BRACKET		1
10	516 07 85-01	WASHER		1
11	514 18 39-01	NUT		1
12	512 64 80-01	ARM		1
13	514 33 67-01	WASHER		1
14	514 33 62-01	BOLT		1
15	504 55 46-01	SWITCH		1
16	512 66 23-01	CABLE COMP		1
17	544 27 76-01	TUBE		1
18	544 27 77-01	GRIP ASSY		1
19	575 72 54-01	SCREW		1
20	537 17 28-01	HANDLE		1
21	537 17 29-01	COVER		1
22	575 96 06-01	NUT		1
23	537 26 02-01	STAY		1
24	503 22 65-01	SQUARE NUT		1
25	511 79 75-01	HOLDER TH		1
26	504 80 03-01	TURNING KNOB		1
27	725 23 44-51	SCREW EHHM		1

P 370BTS, 370BFS



Ref	Part No	Description	Remark	QTY KIT
1	511 80 29-01	BAND ASSY(R)		1
2	544 27 00-01	CLIP		2
3	511 80 30-01	BAND ASSY (L)		1
4	514 33 16-01	RING		2
5	511 80 36-01	BAND B(R)		1
6	511 80 38-01	BAND B(L)		1

H 370BTS, 370BFS

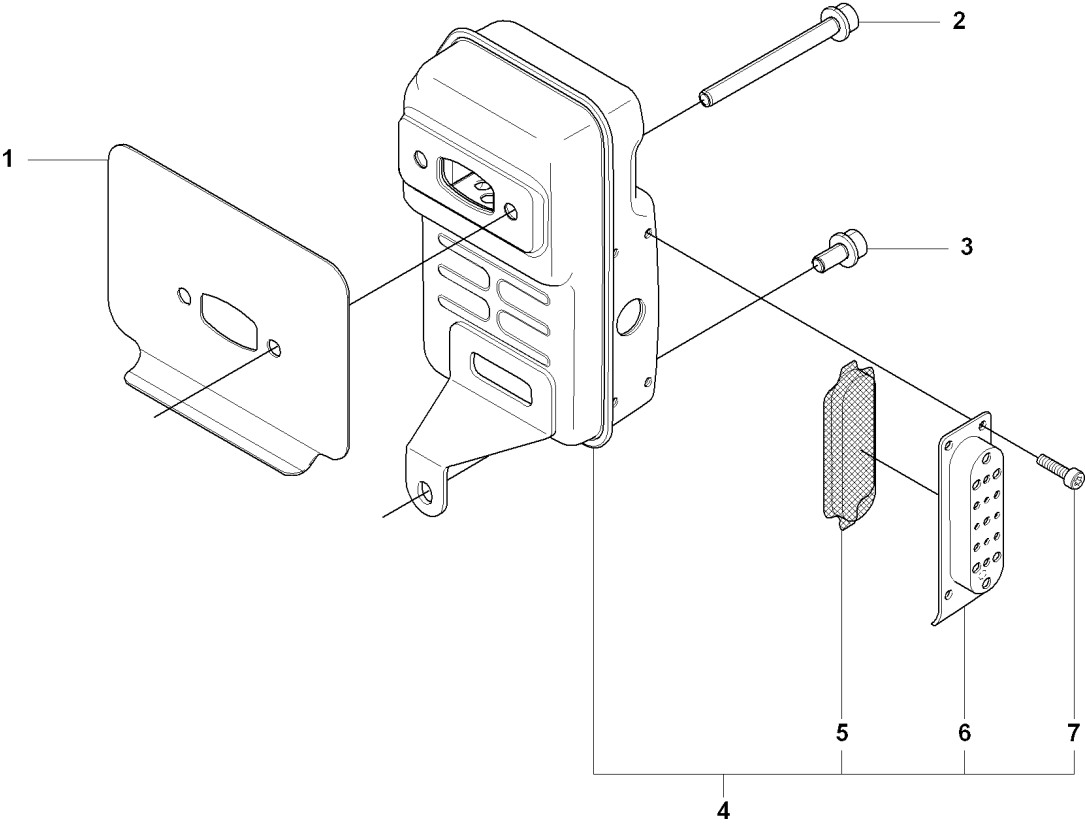


IGNITION SYSTEM

370 BFS, 2009-03

Ref	Part No	Description	Remark	QTY KIT
1	513 24 19-01	NUT		1
2	506 68 94-01	KEY		1
3	544 26 01-01	ROTOR	Up to S/N 9052xxxx	1
3	574 81 42-01	FLYWHEEL	From S/N 1001xxxx	1
4	544 26 02-01	IGNITION MODULE	Up to S/N 9052xxxx	1
4	574 81 87-01	COIL	From S/N 1001xxxx	1
5	511 49 35-01	TUBE		1
6	512 44 40-01	HUB CAP		1
7	506 65 52-01	SPRING		1
8	515 41 53-01	GROMMET		1
9	506 61 51-01	SPARK PLUG		1
10	544 36 29-01	TUBE		1
11	506 74 57-01	BOLT		2
12	505 18 37-01	CORD		1
13	506 74 57-01	BOLT		1
14	521 62 84-01	COVER		1

F 370BTS, 370BFS

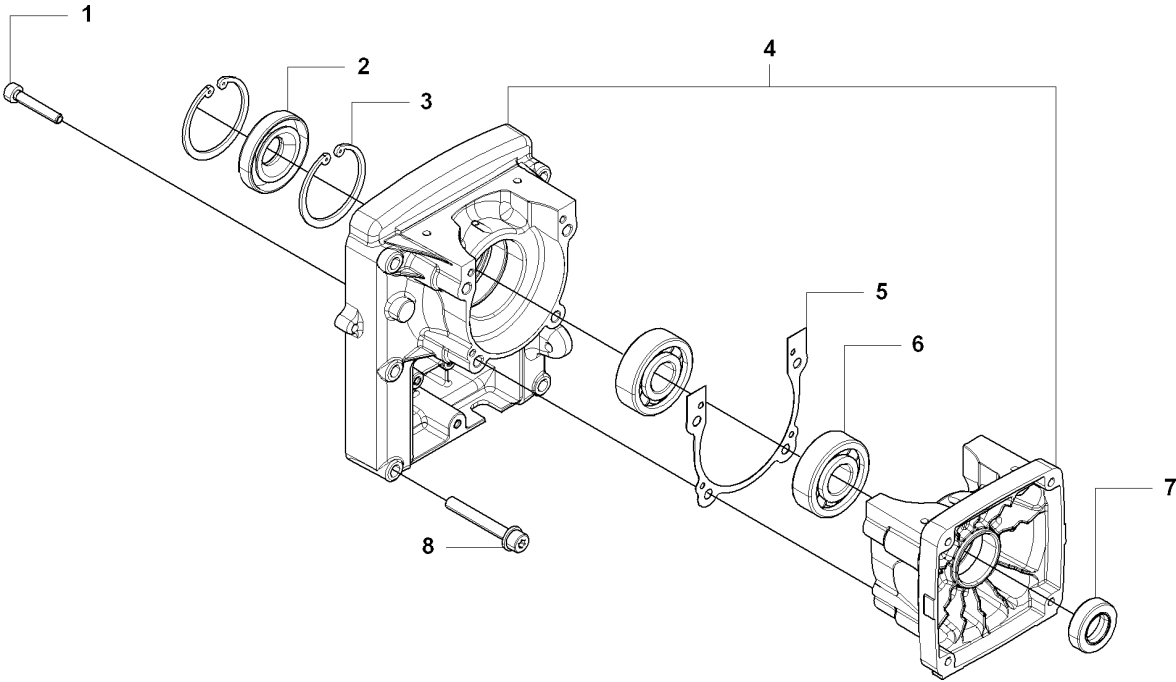


MUFFLER

370 BFS, 2009-03

Ref	Part No	Description	Remark	QTY KIT
1	504 79 61-01	GASKET		1
2	584 63 39-01	BOLT		2
3	544 25 80-01	BOLT		1
4	544 25 77-01	MUFFLER		1
5	544 25 78-01	SPARK ARRESTER		1
6	544 36 26-01	DEFLECTOR		1
7	544 36 27-01	BOLT		4

K 370BTS, 370BFS

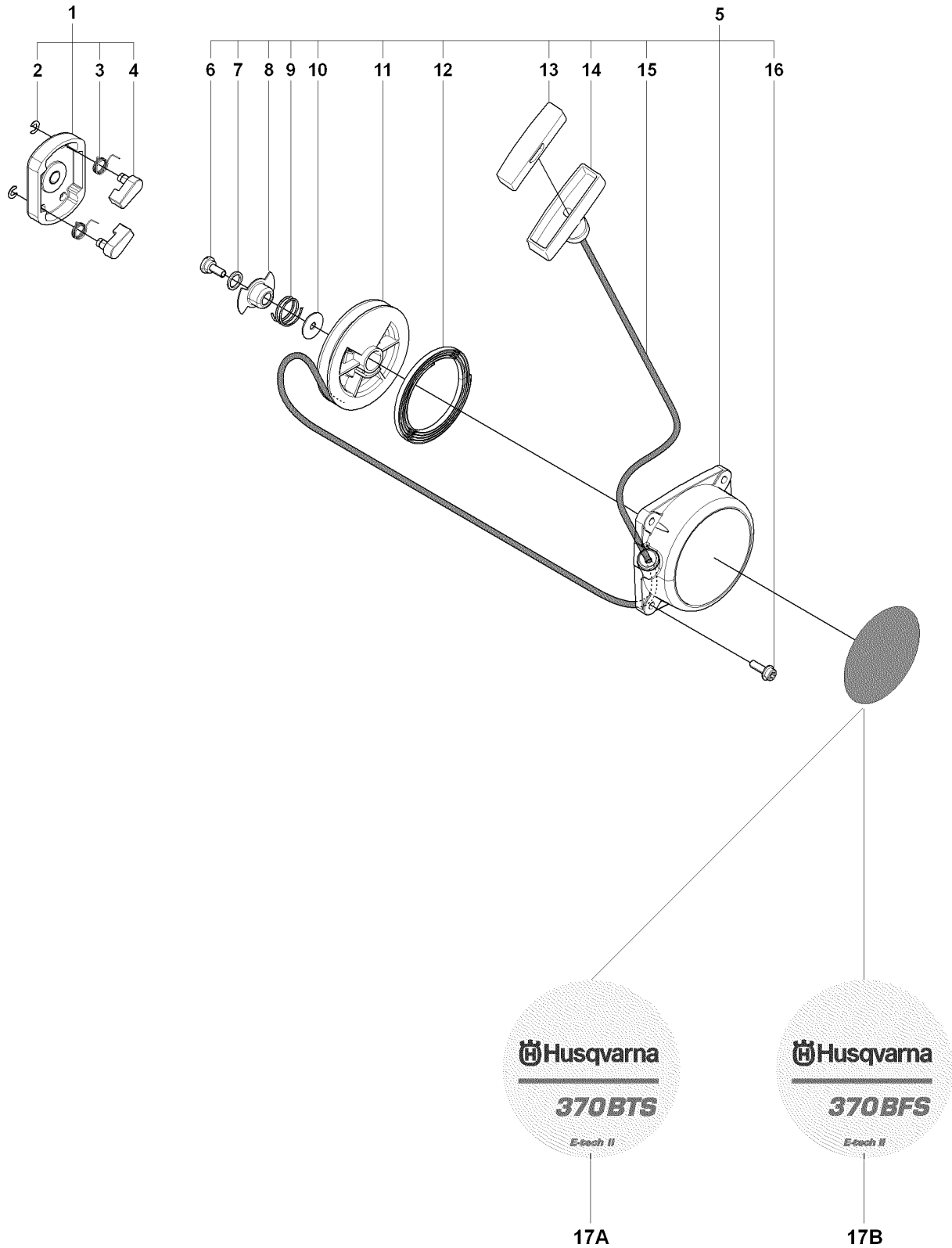


PISTON & CRANKSHAFT

370 BFS, 2009-03

Ref	Part No	Description	Remark	QTY KIT
1	515 38 81-01	BOLT		4
2	521 52 20-01	SEAL		1
3	516 12 62-01	SNAP-RING		2
4	521 62 82-01	CASE-COMP		1
5	521 62 83-01	GASKET		1
6	521 52 13-01	BEARING		2
7	521 52 19-01	SEAL		1
8	576 81 04-01	BOLT		6

D 370BTS, 370BFS

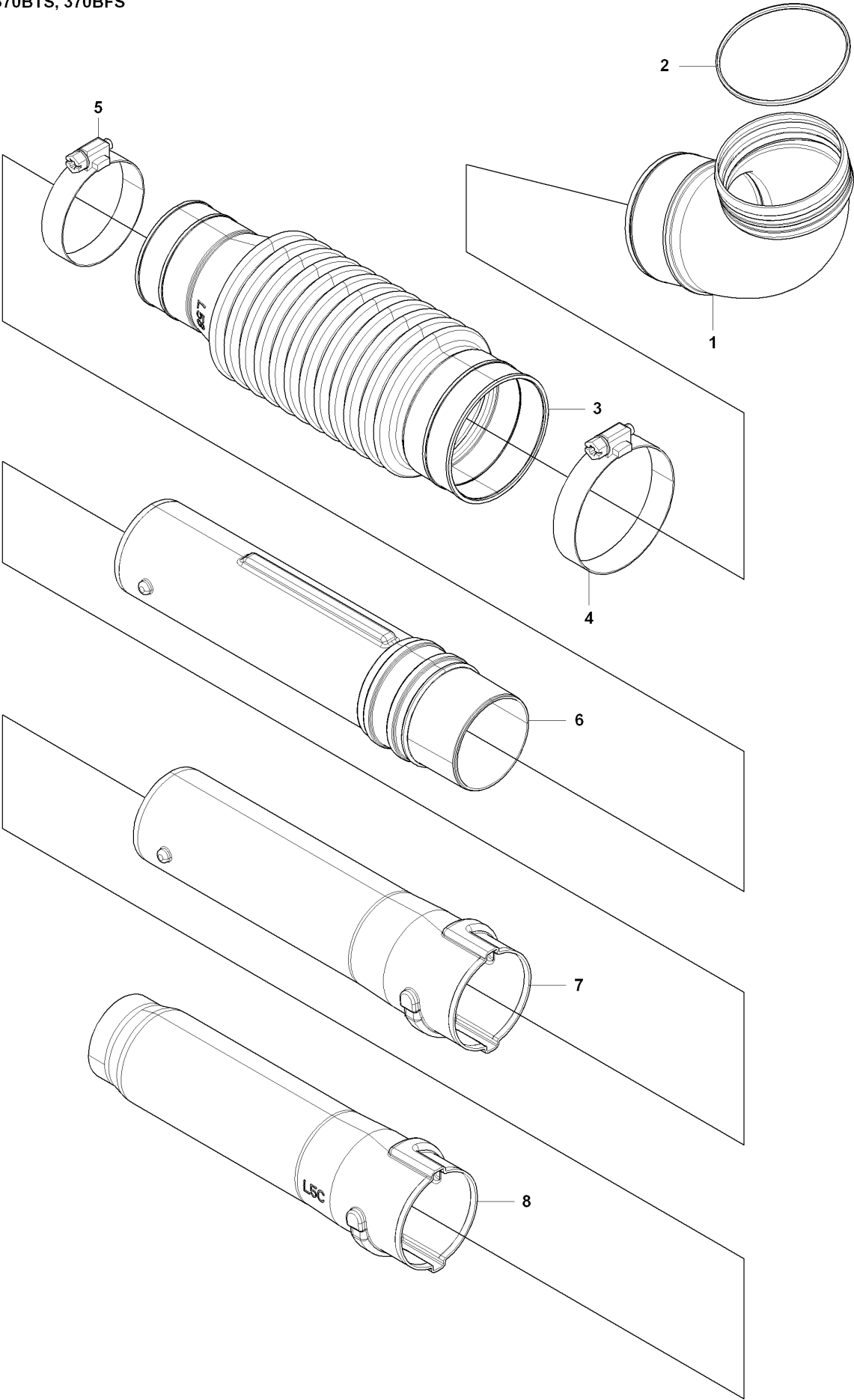


STARTER

370 BFS, 2009-03

Ref	Part No	Description	Remark	QTY KIT
1	521 62 95-01	PULLEY-ASSY		1
2	513 16 77-01	E-RING		2
3	521 63 84-01	SPRING		2
4	521 63 10-01	RATCHET		2
5	521 62 93-01	RECOIL-ASSY		1
6	515 36 71-01	SCREW		1
7	521 63 12-01	WASHER		1
8	521 63 03-01	PLATE		1
9	521 63 06-01	SPRING		1
10	521 63 08-01	WASHER		1
11	521 62 99-01	REEL		1
12	521 62 96-01	SPRING		1
13	521 63 13-01	COVER		1
14	521 63 00-01	KNOB		1
15	521 53 18-01	ROPE		1
16	506 74 56-01	BOLT		4
17A	544 27 61-02	LABEL.RECOIL		1
17B	525 59 98-01	DECAL	370BFS	1

A 370BTS, 370BFS



TUBE

370 BFS, 2009-03

Ref	Part No	Description	Remark	QTY KIT
1	511 78 54-01	ELBOW		1
2	581 45 19-01	O-RING		1
3	511 80 62-01	HOSE		1
4	544 27 41-01	CLAMP		1
5	544 27 40-01	CLAMP		1
6	505 18 11-01	SWIVEL		1
7	511 76 82-01	PIPE.STRAIGHT		2
8	511 80 63-01	PIPE.END		1